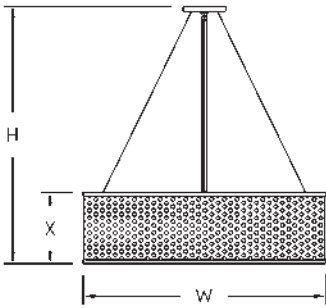


S2350-4C13E-PC





DIMENSIONS			BASE MODEL NO.	ADD LAMP CODE	ADD FINISH CODE
W	H	X			
22"	30"	8"	S2350	4N60 4C13E *4C42T	BA, BB, BC, BN PB, PC, PT
34"	36"	10"		6N60 *6C42T	
40"	42"	11"		6N100 *8C42T	

ORDERING INFORMATION

Order as a Complete Unit: Model No. + Lamp Code + Finish Code + Option Code + Voltage

TECHNICAL SPECIFICATIONS

Ballast: High Power Factor, Electronic, 120/277
Mounting: Mounts to all Standard Electrical Junction Boxes (by others) with Hardware Provided

FINISHES

BA Brushed Aluminum
BB Brushed Brass
BC Brushed Chrome
BN Brushed Nickel
PB Polished Brass
PC Polished Chrome
PT Painted Finishes – (Specify Color Code from Our Standard Finish Chart)

OPTIONS

EM Emergency Battery Pack with Fluorescent Lighting (Integral or Remote)
OA Specify Overall Height of Fixture in Inches; E.G. – OA48
DIM Dimmable Integral Ballast (Consult Factory)
SWC 45-Degree Swivel Canopy
2C Two-Circuit Wiring

LAMPING

N60 = 60 Watt A19 Incandescent
N100 = 100 Watt A19 Incandescent
C13E = 13 Watt Quad Tube Compact Fluorescent 4 Pin Electronic, G24Q-1 Base
C42T = 42 Watt Triple Tube Compact Fluorescent 4 Pin Electronic, GX24Q-4 Base

FEATURES

- Sandblasted Acrylic Bottom Lens
 - Brushed Perforated Metal over Acrylic
- * Configuration operates C26T, C32T or C42T lamp options and can be labeled up to the highest wattage allowed

